



## 2835 Injection LED Module With Lens

P/N:	<b>STF-K3-2835A</b>
Product:	Injection LED Module With Lens <b>Powered By SAMSUNG</b>
Description:	Injection 2835 SMD LED 3 led Waterproof DC12V



### **Features**

1. Adopt TOP 2835 SMD LED, no light spot, with a low lumen recession and good consistency.
2. With a low power consumption and high lumen value, 35-40LM/led, a long life-span, maintenance-free.
3. With a plastic injection technique for outer cover, this unique structure grants a better cooling effect. UL 94V0 ABS.
4. IP Rate: IP68, waterproof.
5. DC 12V low voltage input , reliable and safe.
6. Adopt series-parallel connection circuit, 50 pcs per string, each module could be singled out.
7. Viewing angle: 160°.
8. Five years warranty.
9. Country of origin China

### **Application**

This product is applicable for 10-20cm glowing character, advertisement board, light box or local lighting.

## Specification

<b>LED Type</b>	2835 SMD LED
<b>LED BRAND</b>	chip from SAMSUNG
<b>Viewing Angle</b>	160°
<b>Luminous Flux (lm)</b>	110 LM
<b>LED Qty</b>	3 pcs
<b>Life Span</b>	50,000 H
<b>Working Voltage</b>	DC12V
<b>Consumption</b>	1.2 W
<b>Driving Method</b>	CV
<b>Stand Length In Serial Connection</b>	50pcs
<b>Maximum Length In Serial Connection</b>	≤50pcs
<b>Shell</b>	white ABS
<b>Dimension</b>	66*15*7.5 mm
<b>Available Color</b>	W/WW/CW
<b>Certification</b>	CE&ROHS
<b>Working Temperature</b>	-40℃ —— +60℃
<b>Store Temperature</b>	-50℃ —— +60℃
<b>IP Degree</b>	IP68

## Package

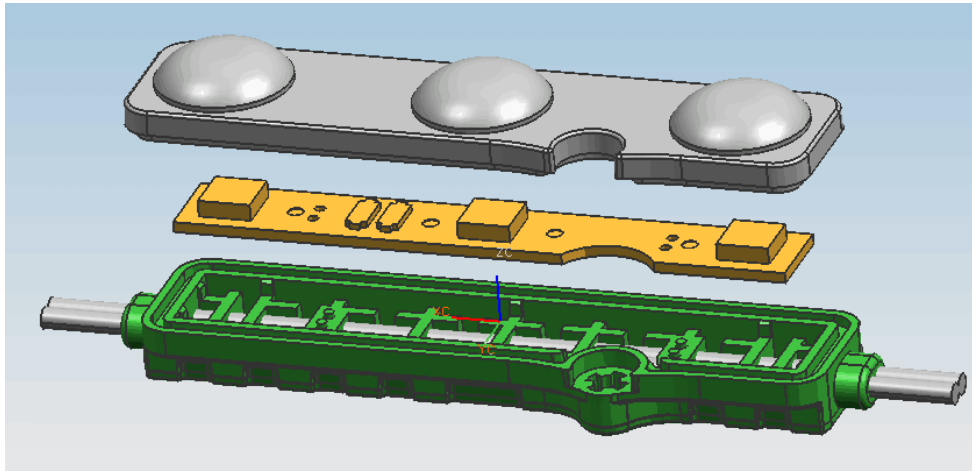
Every 50 pcs per a string, every 2 string in an anti-static bag, 2000 pcs per a carton box.

Carton size: 50\*35\*35 cm.

**Net Weight:** 10 g/pc; 500 g/string; 21kg/carton.







 **Connection Diagram**

