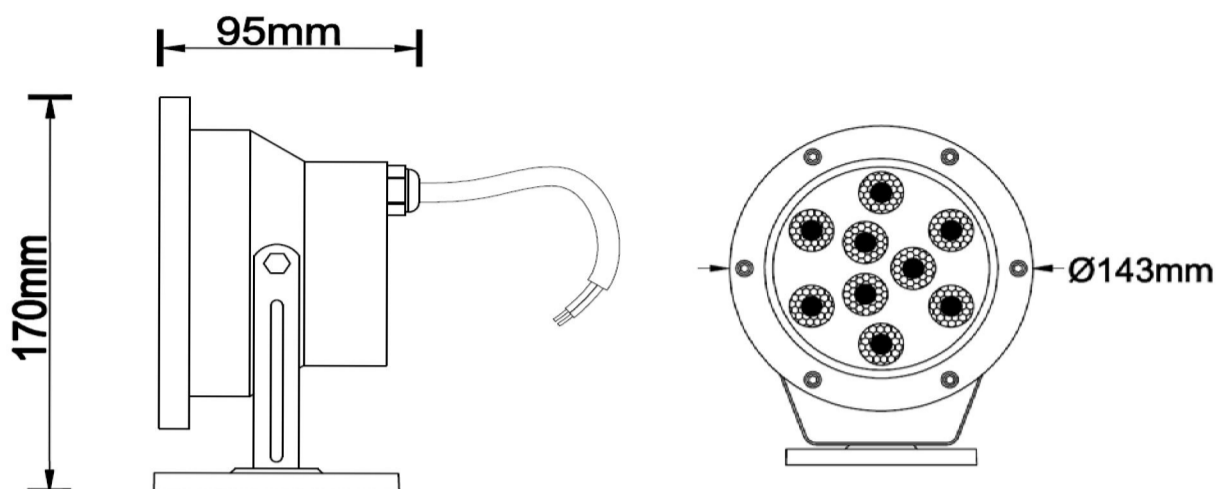


Underwater Light SL-9002



General Data

Item No.	SL-9002
Power	9 Watts
LED type	9 PCS 1 W Bridgelux LEDs
Luminous flux	585~605lm
CCT	3000K, 4000K, 6000K /RGB
CRI	70+
Beam angle	15°, 25°, 30°, 38°, 45°, 60°, 70°
Dimension	145 x 160 (mm) Diameter x Height
Cut out	/
Net weight	1.81 kgs
Warranty	2 years
Certifications	CE, RoHS

Electrical

Input voltage	DC12V
Insulation class	Class III
Cable	1PC rubber cable 5M H05RN-F 2x0.75mm square
Driver	Low voltage constant current output ,excluding the transformer

Construction

IP rating	IP68 Waterproof
IK rating	IK06
Housing	Stainless steel 304
Protection finishing	/
Trim	Stainless steel 304
Glass	Tempered Glass.T=4.6mm.
Loading capacity	320 kgs
Cable Gland	PG7/PG9 IP68 ,glue
Gasket	O-ring PMQ silicone seal

Accessories

Bracket	Stainless steel 304 bracket
---------	-----------------------------

Packaging

Inner box size	170*160*110 mm
Carton size	37.5*34.5*13.5 cm (4PCS / carton)

2 Years Warranty IP68



IK06

Application Picture

